

Laminex®

# Kitchen Design & Renovation Guide

Simplifying the process.



# Your new kitchen starts here.

---

Since the rise of modern open plan living, the kitchen has become the undisputed heart of the home. Combining function and form, this hardworking room presents a meaningful space to cook, eat, entertain, work and undertake other daily activities.

A kitchen remodel ranks high on the to-do list of homeowners. Research shows Australians spend around \$20,000\* on home kitchen renovations every year, and the number of projects is on the rise. An investment of this scale requires careful planning, and Laminex is here to support you every step of the way.

From budgeting to deciding on layout, in this Kitchen Design & Renovation Guide we will walk you through the six stages of a successful renovation for the kitchen of your dreams.

# Contents

---

01 Planning

02 Budget

03 Storage & Layout

04 Style & Colour

05 Materials & Fixtures

06 Bringing it to Life

# 01 Planning

---

The secret to a successful renovation is the planning and preparation you do ahead of time.

# To prepare for your renovation, take some time to go through each of these steps:

## 01 — Ask yourself, why am I renovating?

Do you want to add value to your property for sale, or simply update to better suit your lifestyle? Understanding your reason for renovating will help you make the right decisions in the planning phase and beyond.

## 02 — Create a rough project schedule

Write a checklist outlining all the elements of your renovation and estimate how long each task will take to complete. Minor setbacks and changes are normal when renovating, so allow some room to move.

## 03 — Be inspired

Spend time researching and curating reference images that communicate your style and goals. Pinterest, Instagram and magazines are the perfect places to find inspiration.

Head to a showroom to find more ideas, and to speak with the experts. Make sure you note the brands, materials and colours that make you feel connected and are appropriate for your project - don't forget to grab some samples!

### Expert tip: Write a brief prior to the renovation

Writing a succinct brief is essential for communicating your requirements to any designer, builder or trades person. Detail exactly what you are trying to achieve, scope of work, budget, project schedule, the existing elements staying or going, and other information you may need to refer to later.

## 04 — Create a mood board

Visualise your future kitchen using the inspiration you've collected online, in print, and in showrooms. Create your perfect colour palette and watch your kitchen's style start to take form. Create a second mood board to compare. It will ensure you are confident with your selection.

## 05 — Outline your practical needs

For the most efficient space possible, ask yourself:

- Is your existing area large enough to move around comfortably, or do you need to change the orientation of your existing kitchen?
- How much space do you require for storage and pantry goods?
- If using the bench as an eating area, how many people does it need to seat at once?
- Where will your waste, recycling and green waste be housed?
- What appliances need to be considered and where will they be stowed?

## 06 — Determine your budget

Consider the items on your checklist, your practical needs and your mood board and roughly budget the amount you're able to spend. Prioritise items with the largest allocated spend at the beginning of the project, in case your budget becomes overstretched. Use the budget template on [page 8](#) as a guide for what to include.

## 07 — Identify your project team

Identify who you might need to bring your project to life. Do you plan to use a kitchen designer, or are you planning on project managing yourself? Asking friends and neighbours to refer a designer and tradespeople they trust is a great way to build your project team.

# Planning Checklist

---

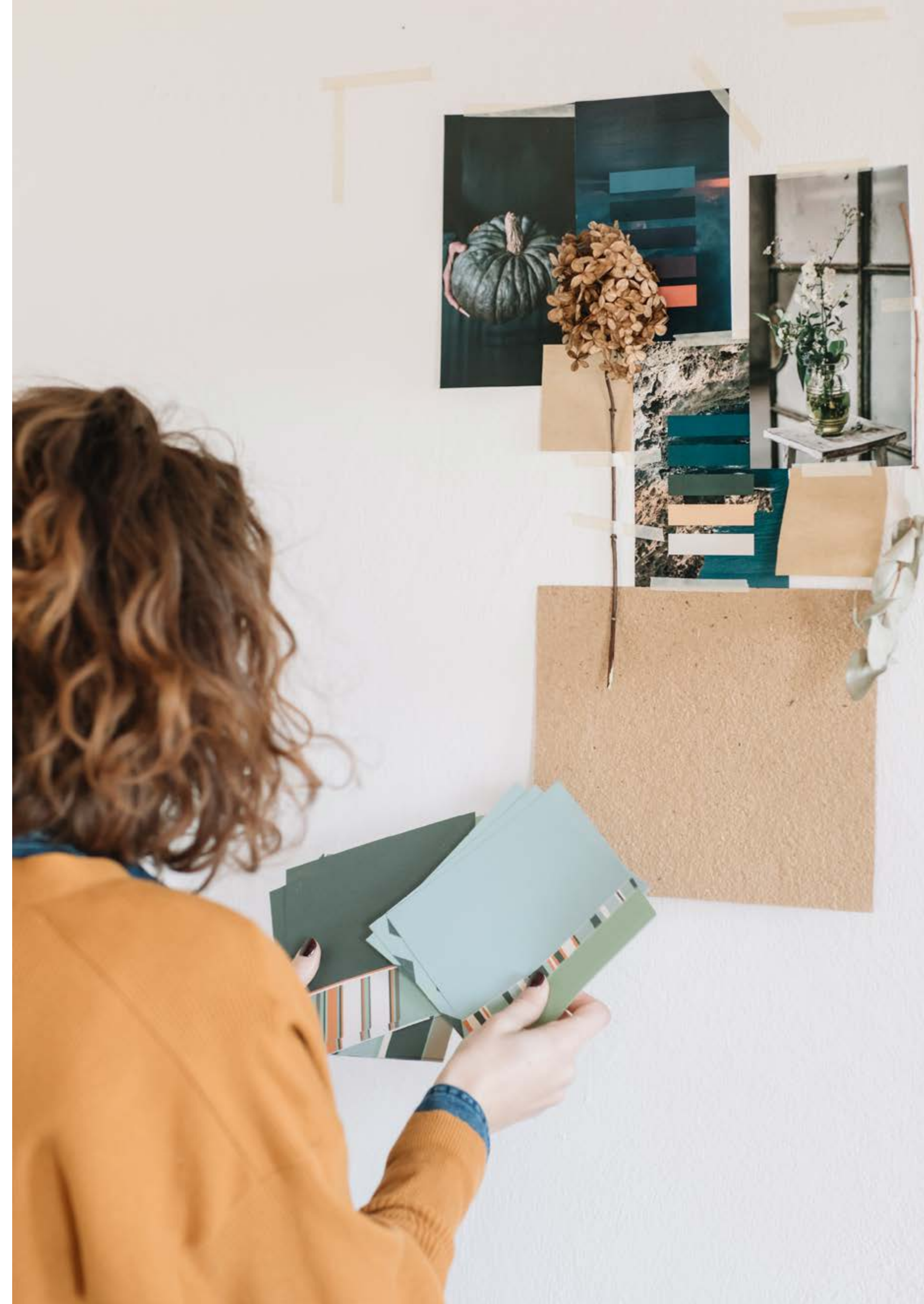
- 01 - Ask yourself - why am I renovating?
  - 02 - Create a \*rough\* project schedule.
  - 03 - Determine your budget.
  - 04 - Get some inspiration.
  - 05 - Create a mood board.
  - 06 - Outline your practical needs.
  - 07 - Identify your project team.
- 

Need inspiration or somewhere to build your mood board? Try these:

**Pinterest** - Do research, find inspiration and create your own digital mood board.

**Canva** - Upload images, swatches and ideas to your choice of digital mood board templates that you can access from anywhere.

**Instagram** - Get inspiration, save ideas, find suppliers and connect with other renovators.



# 02 Budget

Kitchen renovation costs can vary, so establishing a budget from the outset is essential. This will inform the products and finishes that are most appropriate and help separate the essentials from the luxury items.

# Ask yourself the following questions to determine whether your project fits into a low, mid or high range budget.

## Is this project a quick fix, renovation for sale, or your future dream kitchen?

A dream kitchen renovation warrants significant investment, whereas selling your home requires an inexpensive refresh and update for buyer appeal. This could include quick fixes, like refacing cabinets, painting and upgrading fittings.

## What exactly will you be spending money on?

List all the elements likely to incur costs over the course of your renovation, from design, consultations and products, to labour, demolition, waste removal and freight charges.

## How much are you willing to spend on your project?

If you have a budget set aside, divide this into stages to cover all elements of your project. Prioritise the areas most important to you.

## Will you need to make compromises?

If your kitchen renovation is part of a larger home improvement project, consider allocating or cutting costs in other areas for the best possible outcome for your kitchen.

## Are you able to recycle materials, or retain your existing kitchen layout?

Moving plumbing or electrical fittings can blow out a budget. There may be tasks you can manage yourself, like painting and tiling. Complicated jobs, such as installing cabinetry, plumbing and electrical work should be left to skilled professionals.

### Expert tip: Budget Clarity

Your budget will not only guide you in your selections of finishes and appliances, but also will help guide your architect, designer or cabinet maker. It will give them some knowledge to the best scope of works, types of finishes, and selections that they can recommend for that budget.



## How important is energy efficiency?

Investing in energy efficient materials and appliances often require more investment upfront but can save you significant money long-term.

## What can your budget realistically achieve?

Your answers to these questions will help you determine if you're able to undertake a low, mid or high budget renovation. The following pages provide a general outline of what's achievable in each category.



## Developing a clear overview of your renovation costs ensures your project runs smoothly.

Use the template below and the budget range indications on the next few pages to guide your process and ensure you remain on budget.

And don't forget to ask your suppliers to include a written list of inclusions with their quotes!

### Budget Checklist

Use this template to keep track of your budget - add quoted and actual amounts, and keep an eye on anything that might lead to an overspend.

#### Budget Checklist Template

#### Expert tip: Hidden Costs

Allow room for error with some contingency in your budget, around 15%, in case of the unexpected. Common issues that can occur are:

- Discovering outdated plumbing or electricals
- Discovering unsafe old materials
- Poorly completed DIY jobs that require professionals to fix
- Damp or termites

## Budget: Low (Under \$15,000)

Cosmetic change only

Retain existing layout, no structural change

Sink & tap upgrade

New benchtops, cupboard doors and painted walls

Appliance upgrade - we recommend you hunt for a bundle sales package under \$3,000

Laminate cabinetry and benchtops are ideal

Essential trades

Project manage the renovations



## Budget: Mid-range (\$15,000-\$40,000)

---

Small structural update

Consider working with a kitchen renovation specialist or cabinet maker for new cabinetry, benchtop, splashback and fittings

If space allows include a walk-in pantry and appliance cupboard

A range of benchtop solutions are possible in the price range from premium laminate finishes to mid-tier stone

A reputable appliance package with some added features

Hire professional installers

Replace floor (e.g. tile or laminate)



## Budget: High (\$40,000+)

---

Use a professional kitchen designer and project manager to manage the build, including appointing contractors and tradespeople

New layout to maximise your space and functionality, including structural changes

If space allows add a butler's pantry

Add some extra personalisation in the selection of the splashback, fixtures and fittings including drawers and storage elements

Statement benchtop; stone, porcelain, polished concrete, marble, timber

Premium Cabinetry such as Premium Gloss or Matte laminate, Painted Cabinetry with profile details or coloured internal cabinetry

European appliances, with 90cm not 60cm cooktops

Consider additional elements such as a double oven, steamer, bespoke rangehood or extra deep benches

Custom cabinet build & installation

Overhead feature lighting

# 03 Storage & Layout

---

A functional kitchen is essential. Practical considerations for storage and task zones will help you create a space that is both a pleasure to look at, and to use.

# Things to consider when planning layout or storage changes in your kitchen reno:

## Food

Storage for consumable goods includes your pantry, fridge and freezer, so you'll need to consider the position of both in your space. Divide your pantry into zones to ensure easy access to all items. Identify food and cooking categories, and designate a space for each.

## Utensils & Flatware

Utensils are best kept in shallow drawers in organisers, while cooking implements are better stored near the cooktop. Crockery and glassware stored in drawers makes them easier to access and saves space.

Alternatively display flatware on plate racks or open and floating shelves. Space for large platters and glassware should also be considered.

## Food preparation

Ensure there is plenty of surface space to work on, especially in areas that are next to the sink or cooktop and on island bench.

## Cooking & baking

Consider storage for pots and pans in deep drawers beside the cooktop or oven. Include cabinet space for cooking essentials like oil and seasonings next to the cooktop, or in shallow drawers nearby.



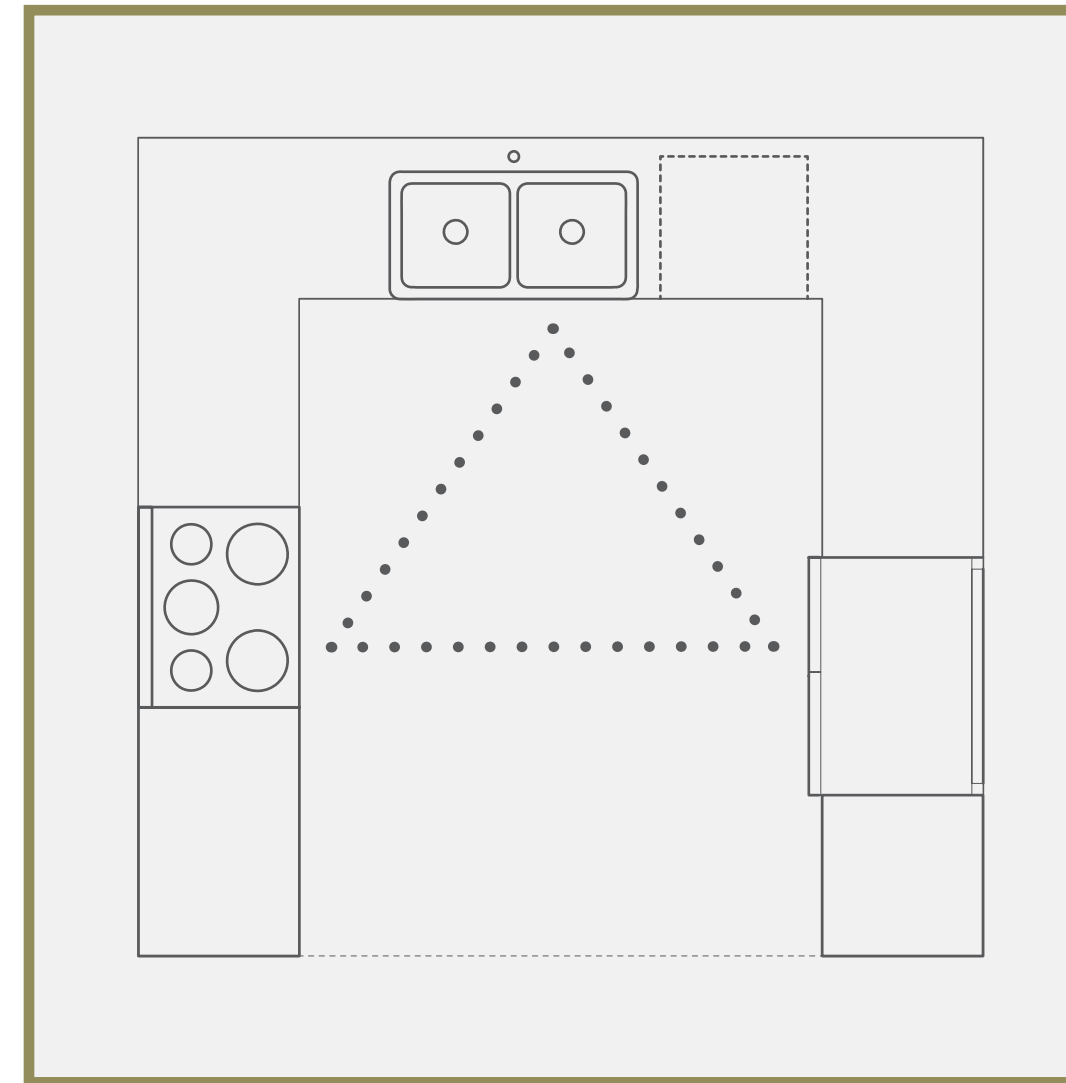
Benchtop in **Laminex Otway AbsoluteMatte**, Cabinetry in **Laminex Smoked Birchply Chalk** and Drawer (internal) in **Laminex Moroccan Clay**.  
Designed by Studio Doherty, Styled by Natalie James, Art Direction by Ortalan and Photographed by Derek Swalwell. Joinery by Evolve Interiors.

## Cleaning products & equipment

Utilise storage space around the sink area for washing-up items. Larger items, like stick vacuum and brooms, can be kept in a tall designated cupboard in the kitchen, butler's pantry or laundry. Ensure there's a power point where these items will be stored and a wall mounted tool holder for hanging your broom. When choosing bins, consider the types you use and the most convenient location. Use separate bins or inner dividing systems.

# Layout Options

For optimal functionality, utilise the **'Kitchen Work Triangle'** by positioning the fridge, cooktop and sink with an optimum distance of 1.2 and 2.7 metres between each.



To determine your ideal layout, consider these questions:

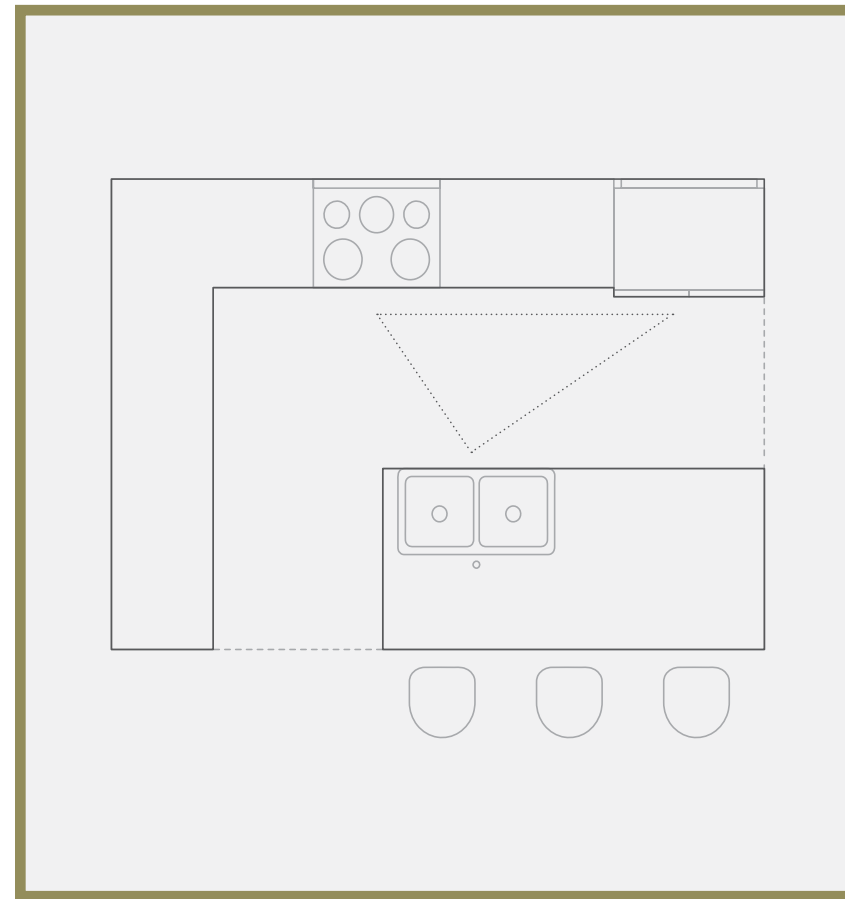
- How do I use the kitchen on a daily basis?
- How does my family utilise this space?
- Will we eat meals here?
- How much storage do I require? Will this be hidden or on display?
- Will I entertain friends in the kitchen?
- Do I prefer open-plan kitchens or a separate space away from living and dining areas?
- Take a look on the next page at common floor plans to inspire your design.

## Expert tip: Use your imagination

When finalising your layout, take a moment to imagine using the space you have designed, and determine what works and what doesn't. Make adjustments to the design until it feels comfortable and practical.

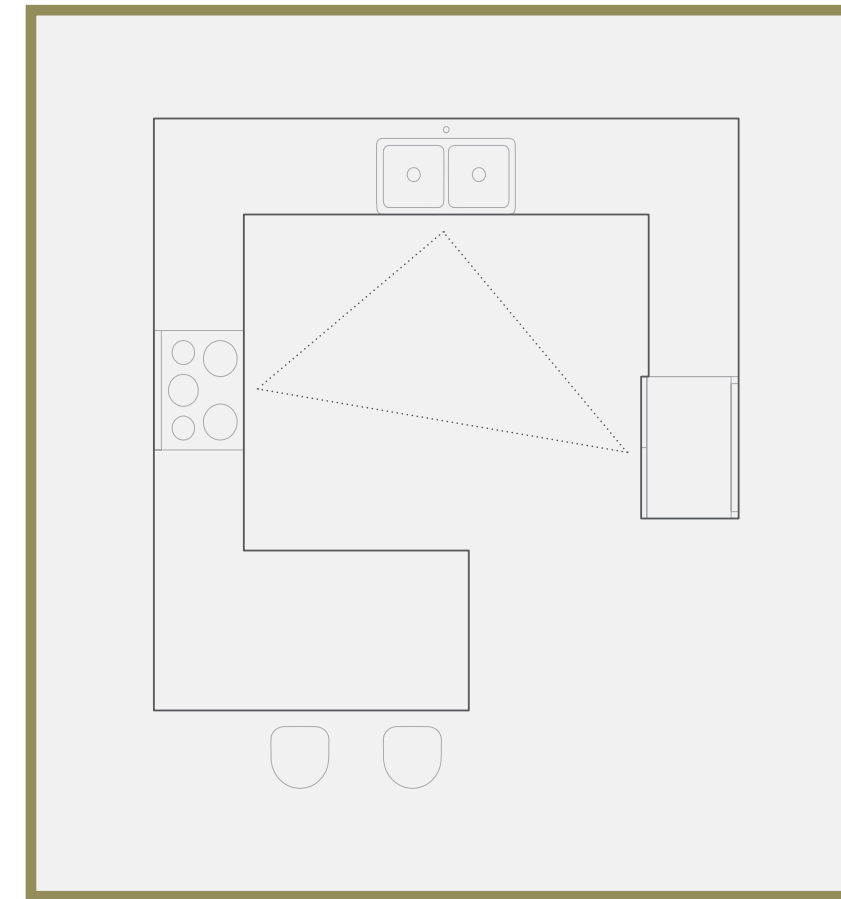


## Here are six kitchen layouts to consider:



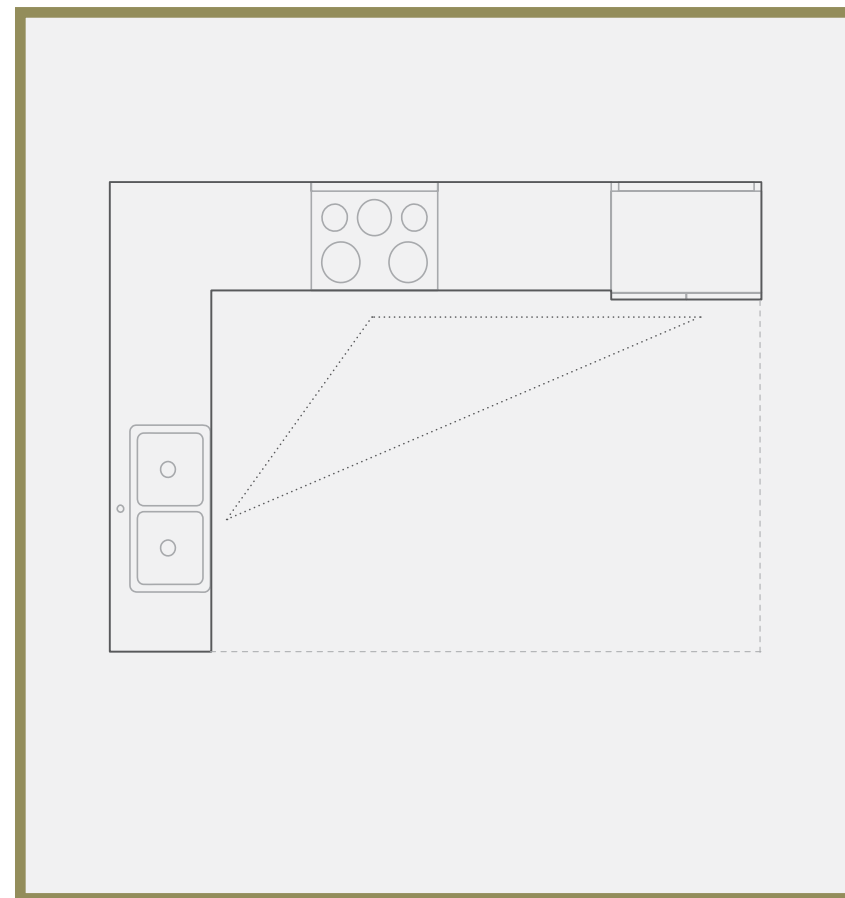
### Island Kitchen

A popular kitchen style for a more social space, this layout creates connection between your kitchen, living and dining. Providing additional work and storage space, it has the ability to adapt for a variety of spaces but is ideal for larger sizes.



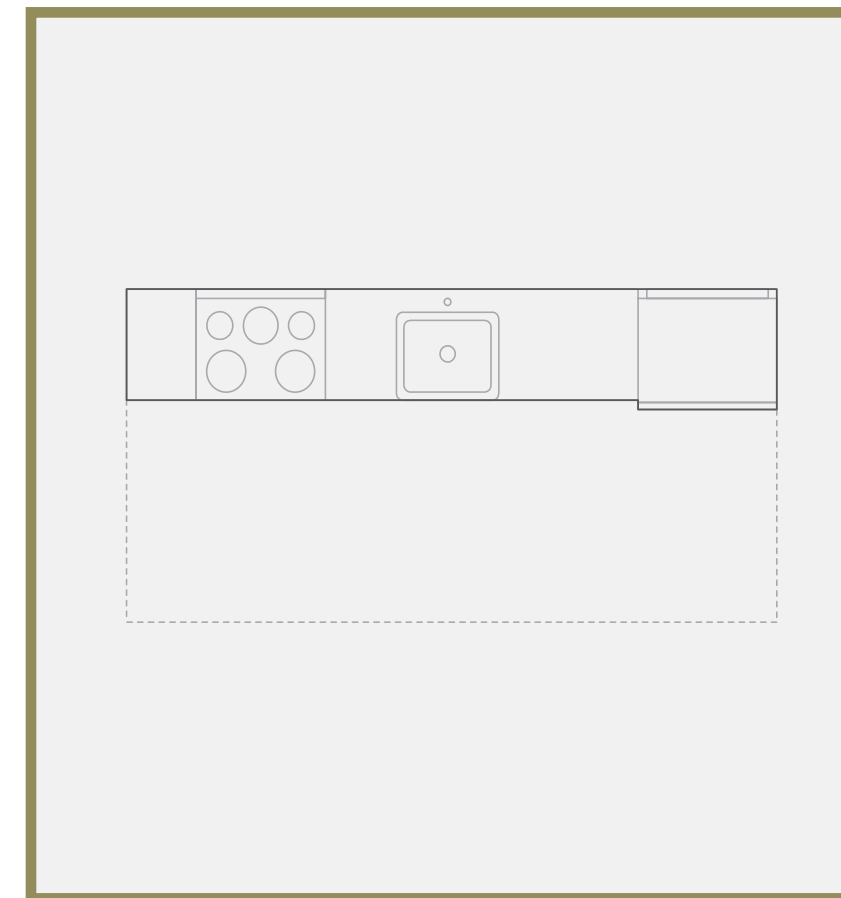
### G-Shape

A riff on the U-shape kitchen thanks to an added peninsula, this layout works in any space. Perfect for open plan homes, you will love its vast storage opportunities and generous surfaces.



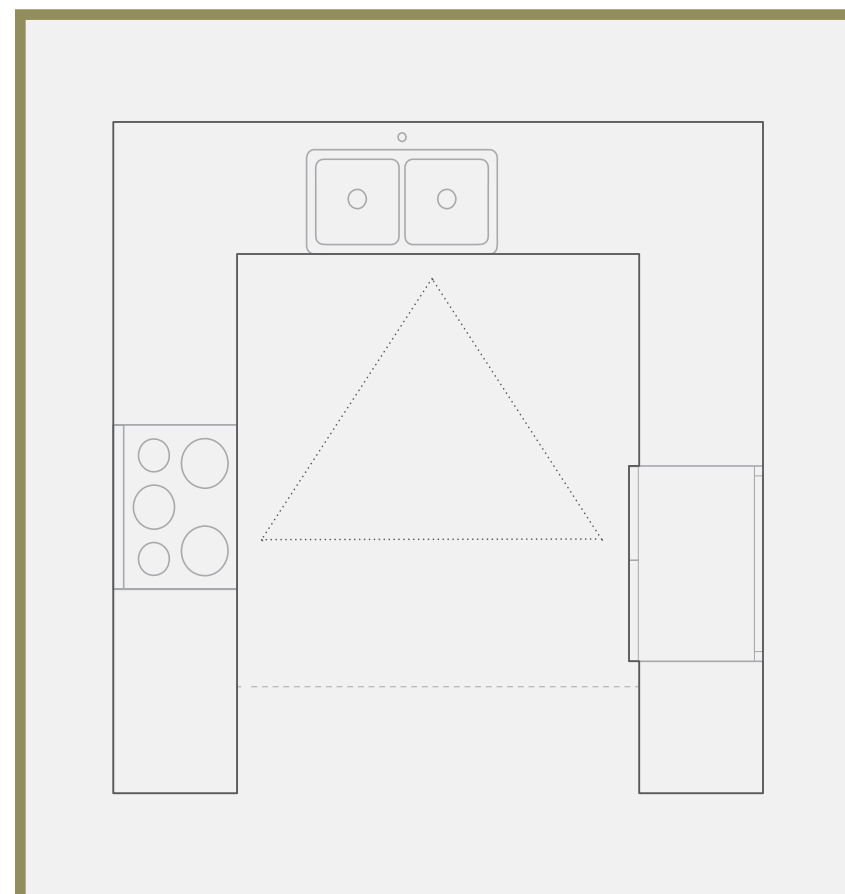
### L-Shape

A classic layout with vast design flexibility, this option is generous in space and is ideal for small to medium size rooms. Perfect for open plan living as it creates a natural openness to the space.



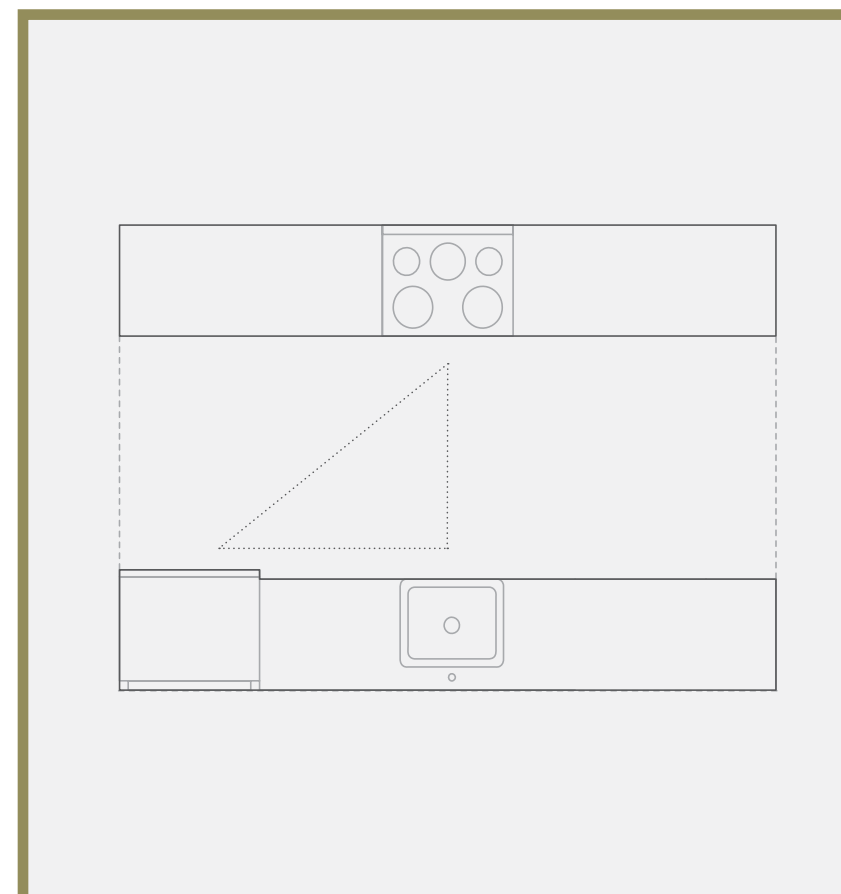
### One Wall

The perfect format for a small space, this layout allows you to run appliances and cabinetry along one wall for added spaciousness. With the sink, cooktop and refrigerator dominating the space, it can lack surfaces for food prep, so consider the use of integrated appliances to leave as much space as possible.



### U-Shape

Comprising of three walls with bench space and cabinetry, this layout provides various storage options and is ideal for medium-sized spaces. Perfect for incorporating a long island bench and integrating appliances, it allows clear sightlines into adjoining rooms.



### Galley

Encompassing two parallel countertops with a walkway in-between, this layout is super compact which makes it a good choice for smaller homes. Everything you need is within arm's reach, so good organisation is vital. Storage can be scant so consider adding cabinetry or open shelving above the parallel countertops.

# Choosing your perfect pantry

Your dream pantry is not only one that sits comfortably within your kitchen, but a space with designated homes for all your essentials.

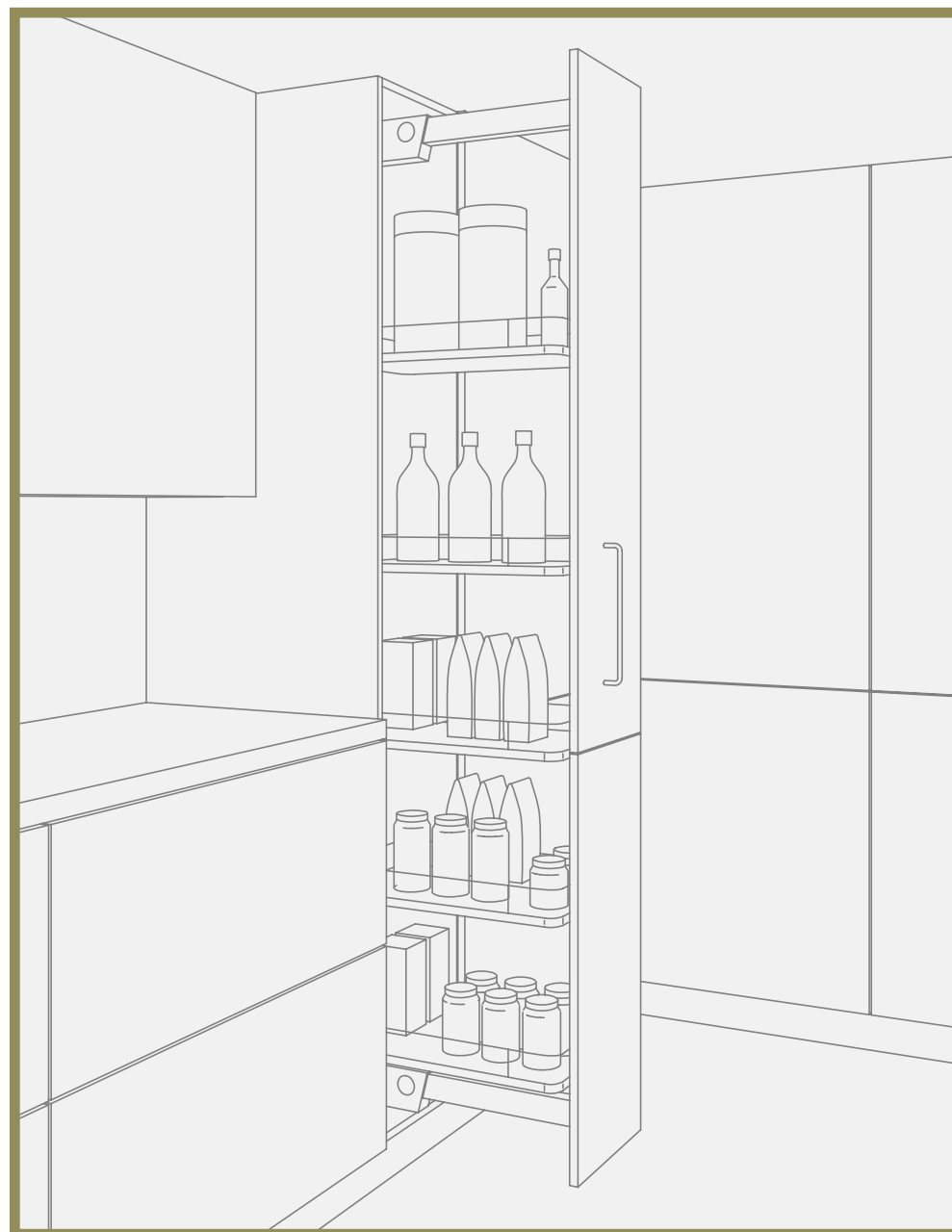
“Your pantry should suit your lifestyle,” says interior designer Lauren Li. “Think about how you live, cook and entertain, and let your answers inform your choices.”

## Consider the following:

- Location within your space;
- Various shelf sizes and depths;
- Installing a lazy susan or turntable to improve accessibility;
- LED strip lighting;
- Space for appliances, with powerpoints, plumbing and ventilation to suit.

### Pull-out pantry

A tall dedicated cabinet of any size located inside the kitchen.



### Corner pantry

Located in a corner with door extended fully to the floor, this pantry utilises an often-challenging section of the kitchen.



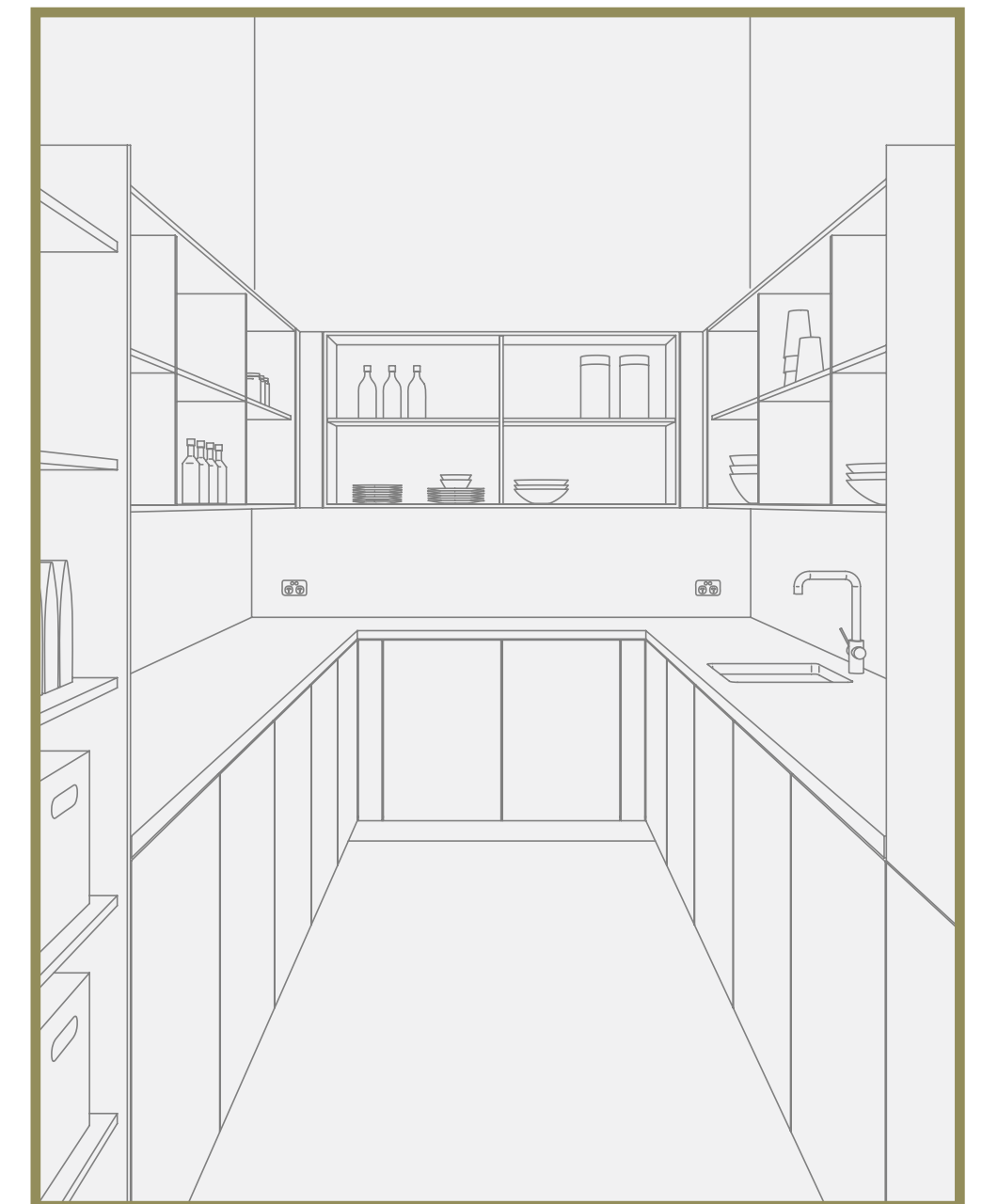
### Walk-in pantry

Located inside or outside the kitchen, this is a versatile option ideal for most layouts and budgets.



### Butler's pantry

The entertainer's dream, this pantry sits between the kitchen and dining room and is the perfect hiding spot for dirty dishes, utensils, glassware and appliances.

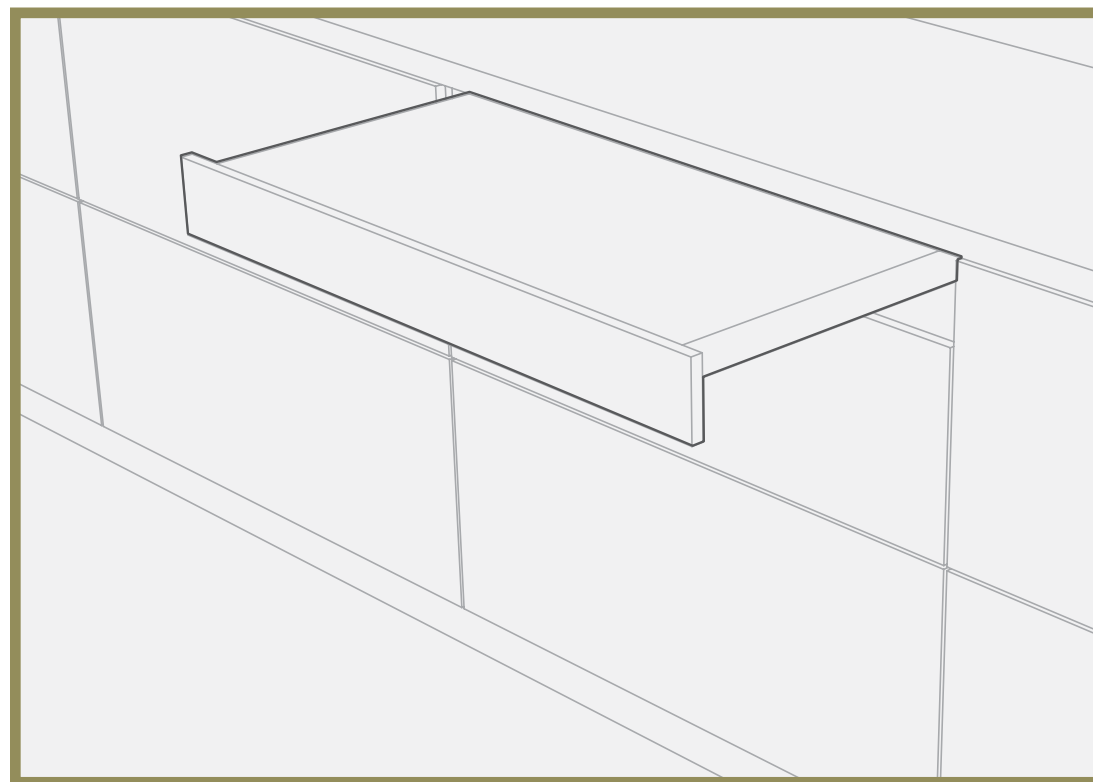


# Designing the right drawers

A well-designed layout incorporates multiple drawers in different styles to accommodate essentials, provide efficient storage, and enhance your time in the kitchen.

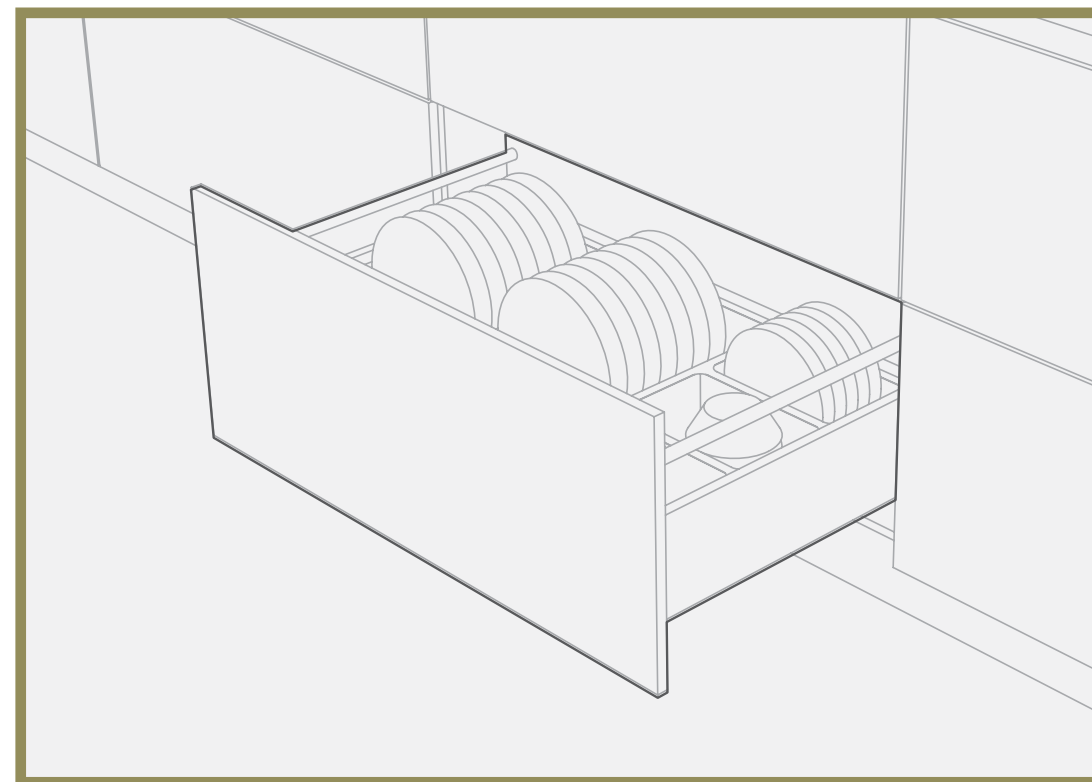
## Slide-out bench

Ideal for kitchens with limited food preparation space, they revolutionise the way you store essentials and how you cook.



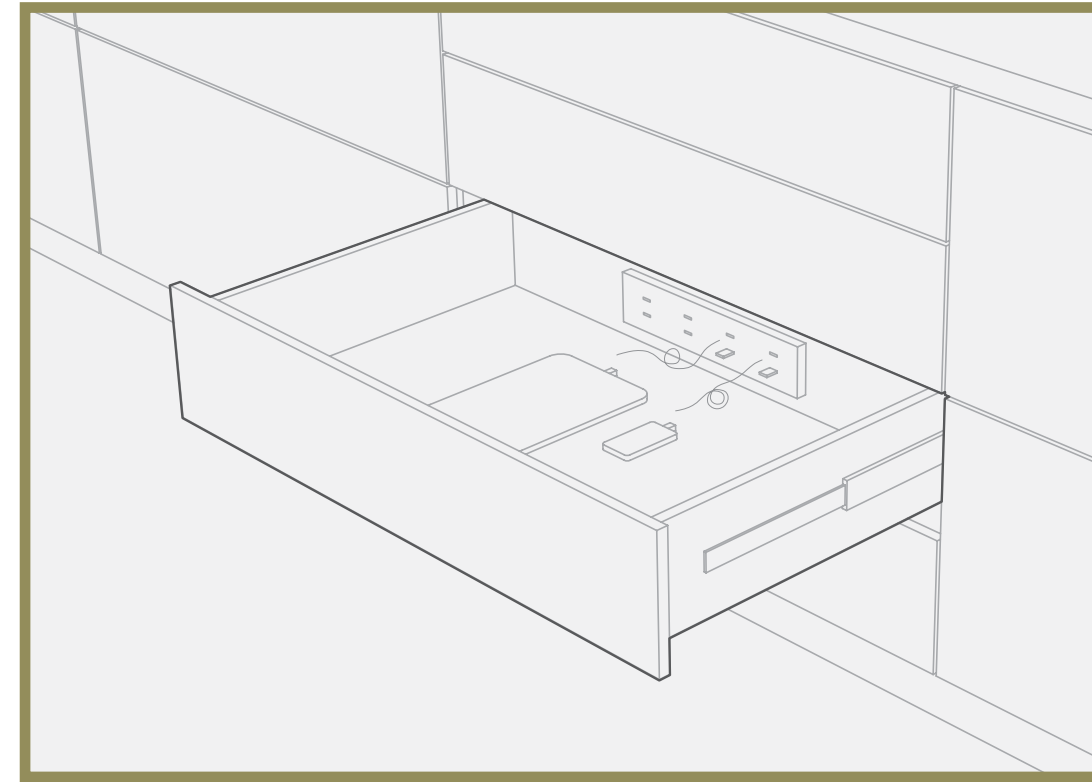
## Drawer dividers

Whether you are storing cutlery or pots and pans, they keep everything neat, tidy, visible and organised.



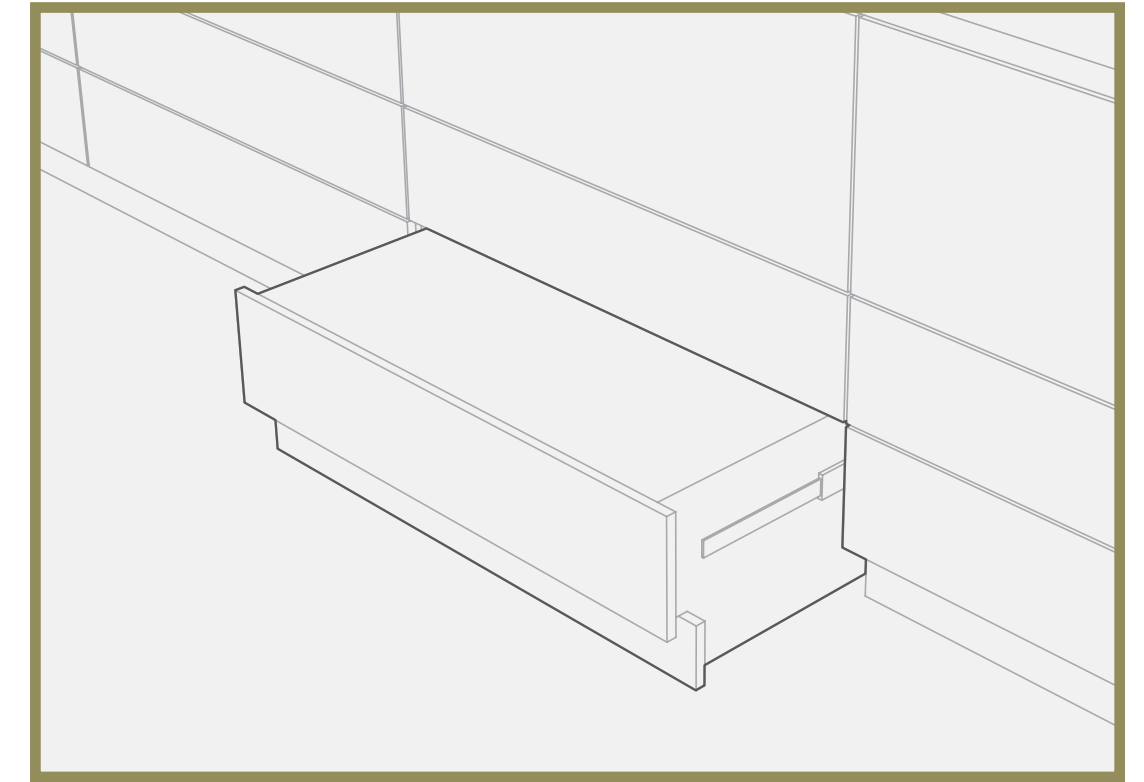
## Utility drawers

Keeps devices and portable gadgets charged and organised discreetly.



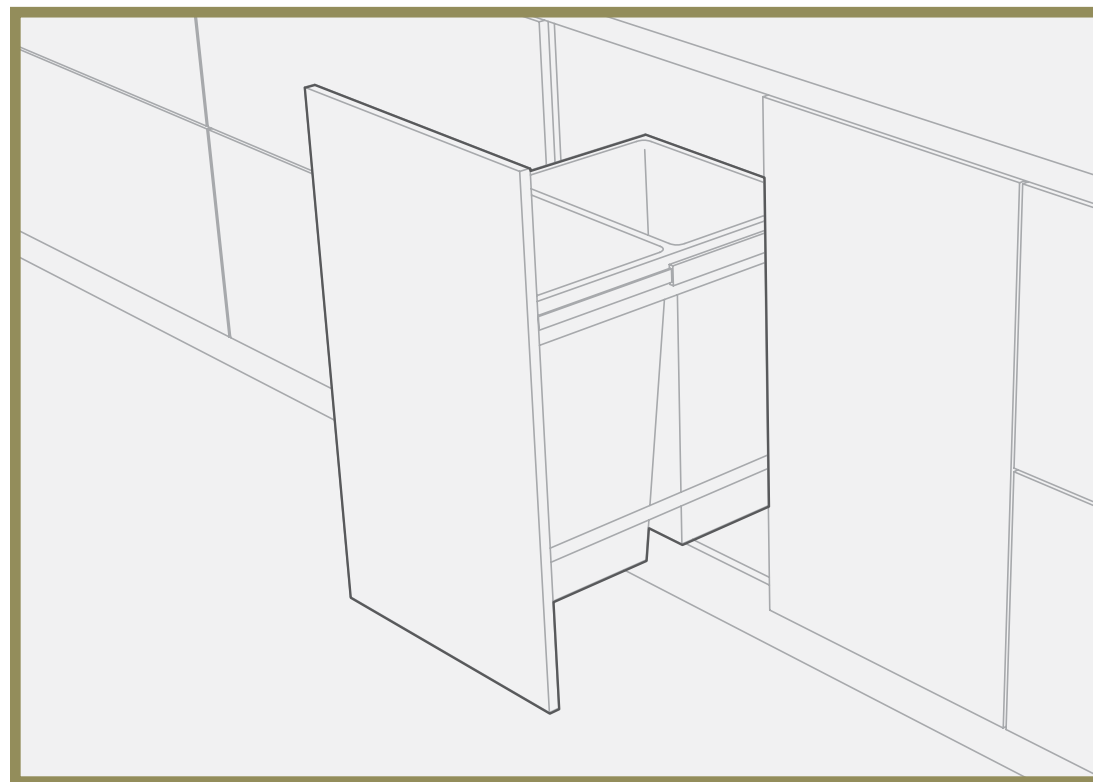
## Step Drawers

To help reach high overhead cabinets.



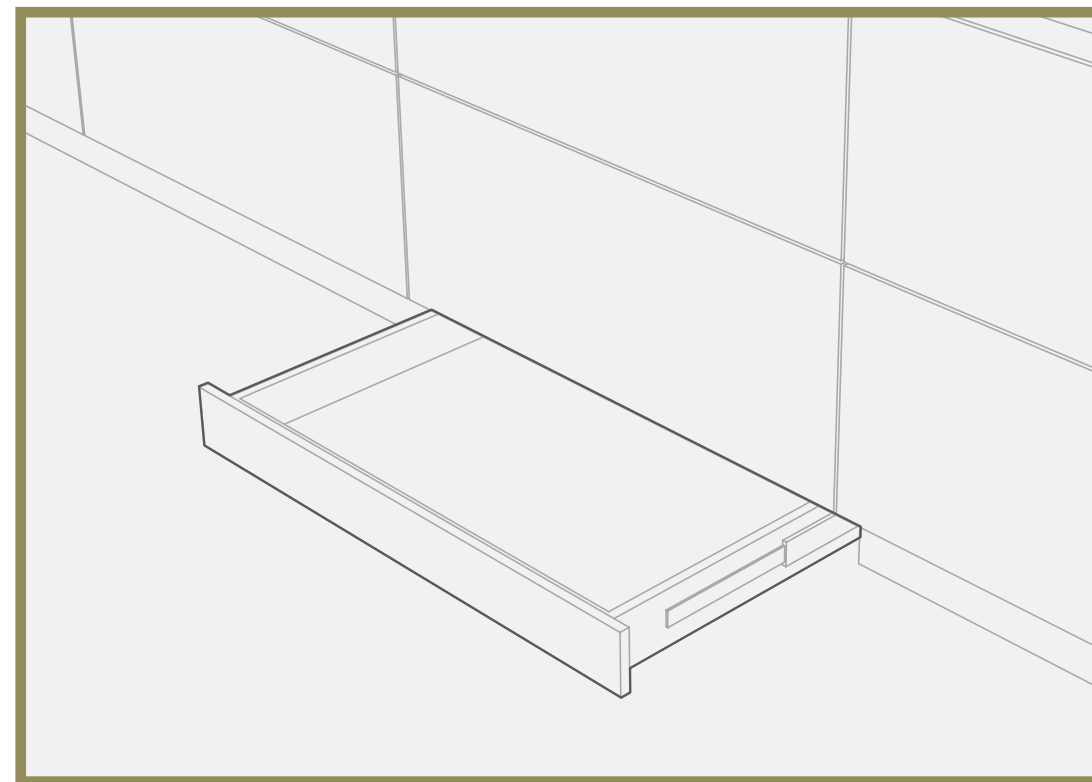
## Bin drawers

Integrate and divide bins so they are out-of-sight but convenient to reach.



## Kicker drawers

Gain precious under cabinet storage space that is otherwise wasted.



## Expert tip: Double check measurements

–

Is there room to open the oven door without tripping over it? Will you be able to easily open corner cupboards?

Measure again to make sure. If DIY-ing, always follow the old adage, 'measure twice, cut once'.



# 04 Style & Colour

---

Because it is the heart of the home (and the best parties seem to start and end there), a beautiful kitchen is a must.



# Colour & style can have a huge impact on the tone and feel of a space, so you'll need to consider your choices carefully.

Whisking together the right ingredients, from its style to colour scheme, is the secret to a space that's as efficient as it is eye-catching.

Will your kitchen encapsulate classic timelessness or a more contemporary aesthetic? Find inspiration on Instagram, curate a Pinterest board, or thumb through your favourite magazines to create a mood board that will help you form its style.

If the kitchen is the only space in your home being renovated, consider how it will complement its existing scheme. Incorporate materials, colours or styles used in other rooms and adjoining spaces, for seamless flow and consistency.

## Colour palette

Your kitchen's style will inform its colour palette. While a classic home might feature elegantly simple and timeless shades, a contemporary space showcases more on-trend colours. Visit Laminex's online [Inspiration Gallery](#) to view a range of beautiful palettes and finishes, arranged according to style.

Read through the next few pages to learn more about the most popular colour & style aesthetics, including swatches, example spaces and material options.

### Expert tip: Focal Point & Colour Selection

—

Choose an existing focal point within your kitchen or create a new one to inform your overarching design scheme. It could be a pendant light, tiled splashback or flooring material.

The colour selection should consider cabinetry, benchtop, splashback, flooring and paint colour.



# Connected Calm

These are the new neutrals. Welcoming and warm, they gently envelop with calm reassurance. Less obtrusive and softer than black or white, this palette demonstrates the importance of tone in the modern minimalist interior, where shadow and light are key and the textural pops of timber, textile and stone are allowed to take centre stage.

One element never affecting the whole, the result greater than the sum of its parts.



**1.** Laminex Calm Oak **2.** Laminex Premio Carrara TrueScale **3.** Laminex Paper Bark **4.** Laminex Peruvian Clay **5.** Laminex Winter Sky **6.** Laminex Aries **7.** Laminex Chestnut Woodland **8.** Laminex Calacatta Majore TrueScale.

Cabinetry and Island Bench in **Laminex Paper Bark and French Cream**, Cabinetry (lower) in **Laminex Whitewashed Oak**. Designed by Kennedy Nolan, Styled by Natalie James, Art Direction by Ortolan and Photographed by Derek Swalwell. Island Fabrication by Evolve Interiors.



## Nature's Nurture

Representing the importance of the environment, the outdoors and our place in it, this palette adheres to the Laminex mantra 'if it's not in nature, then it's not in Laminex.'

Identified by the familiarity of green and its presence in nature, we are effectively hardwired to feel calm. Green embodies new beginnings and growth with feelings of nourishment and invigoration, as a result of its calm blue and energetic yellow origins.



1. [Laminex Seed](#)
2. [Laminex Spinifex](#)
3. [Laminex Natural Ash](#)
4. [Laminex Greyed Woodland](#)
5. [Laminex Green Slate](#)
6. [Laminex Otway](#)
7. [Laminex Possum](#)
8. [Laminex Luxe Elba TrueScale](#)

## Sunburnt Country

Connect to the unique Australian landscape with timeless native colours, timbers and textiles that respond in various ways. Be playful and light with raw, sandy tones, or add drama with deeper hues that evoke moody sunsets and windswept beaches.

Sunburnt country is a flexible palette that works to create rooms and decors that offer space for complementary furniture and textures to speak without without raising their voice.



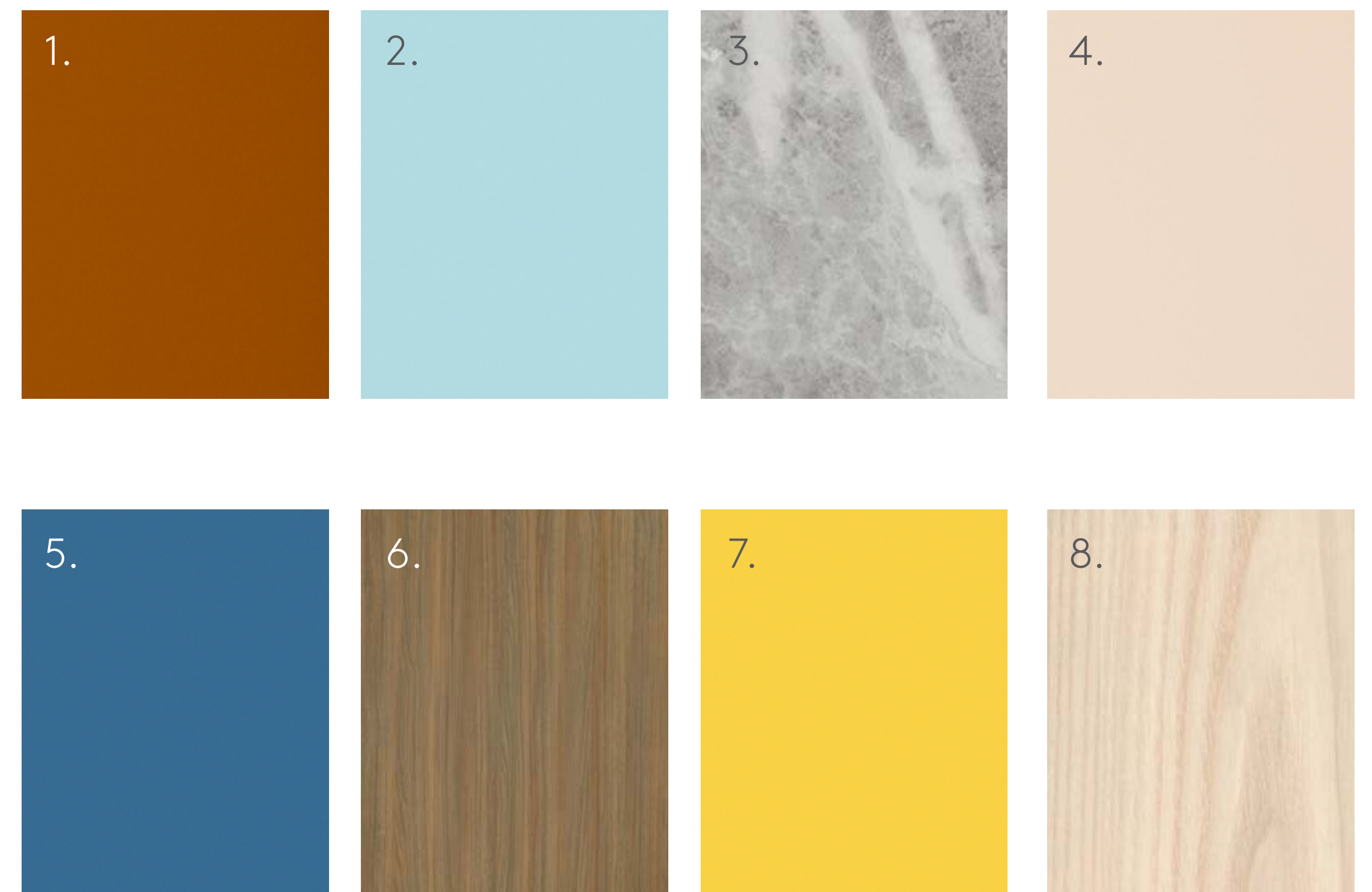
1. [Laminex Pale Honey](#)
2. [Laminex Natural Teak](#)
3. [Laminex Pumice](#)
4. [Laminex Burnt Ochre](#)
5. [Laminex Chalk White](#)
6. [Laminex Clay Textile](#)
7. [Laminex Planked Urban Oak](#)
8. [Laminex Moroccan Clay](#)



## Energised Contrast

Create contemporary interiors that entertain and defy expectations. Tempered by nature, every colour in the range is bright, yet workable by design.

Laminex Golden Wattle or Laminex Fresh Spring burst with energy but used alongside Woodgrain - even multiple woodgrains - the potential of the range becomes evident; this is about composition and compelling storytelling.



**1.** Laminex Moroccan Clay **2.** Laminex Fresh Spring **3.** Laminex Marmo Grigio TrueScale **4.** Laminex Porcelain Blush **5.** Laminex Portsea **6.** Laminex Danish Walnut **7.** Laminex Golden Wattle **8.** Laminex Milkwood.

# 05 Materials & Fixtures

---

Enhance your design scheme and colour palette with complementing materials and fittings. Balance personal style with practicality for a kitchen that's as useful as it is beautiful.

## Materials & Fixtures Intro

Kitchen renovations aren't just about layouts and storage options - there's a variety of components, appliances, fixtures and accessories to consider. Explore the next few pages and consider which materials and fixtures will work best in your space.

### Benchtops

The workhorse of the kitchen, the benchtop should be crafted from a robust and long-lasting material that is able to withstand daily wear-and-tear. Laminates are a durable and less expensive alternative to stone, and available in an extensive range of colours and finishes.



## Doors & Panels

Surfaces, like cupboard doors and cabinetry panels, make a strong statement. Depending on how your space is constructed, it is possible for them to be updated without a full kitchen redesign. Laminex offers various product ranges, including DesignEdge, FormWrap, and ColourTech, that run across hundreds of decor styles to suit all design aesthetics and budgets.



### Internal Cabinetry

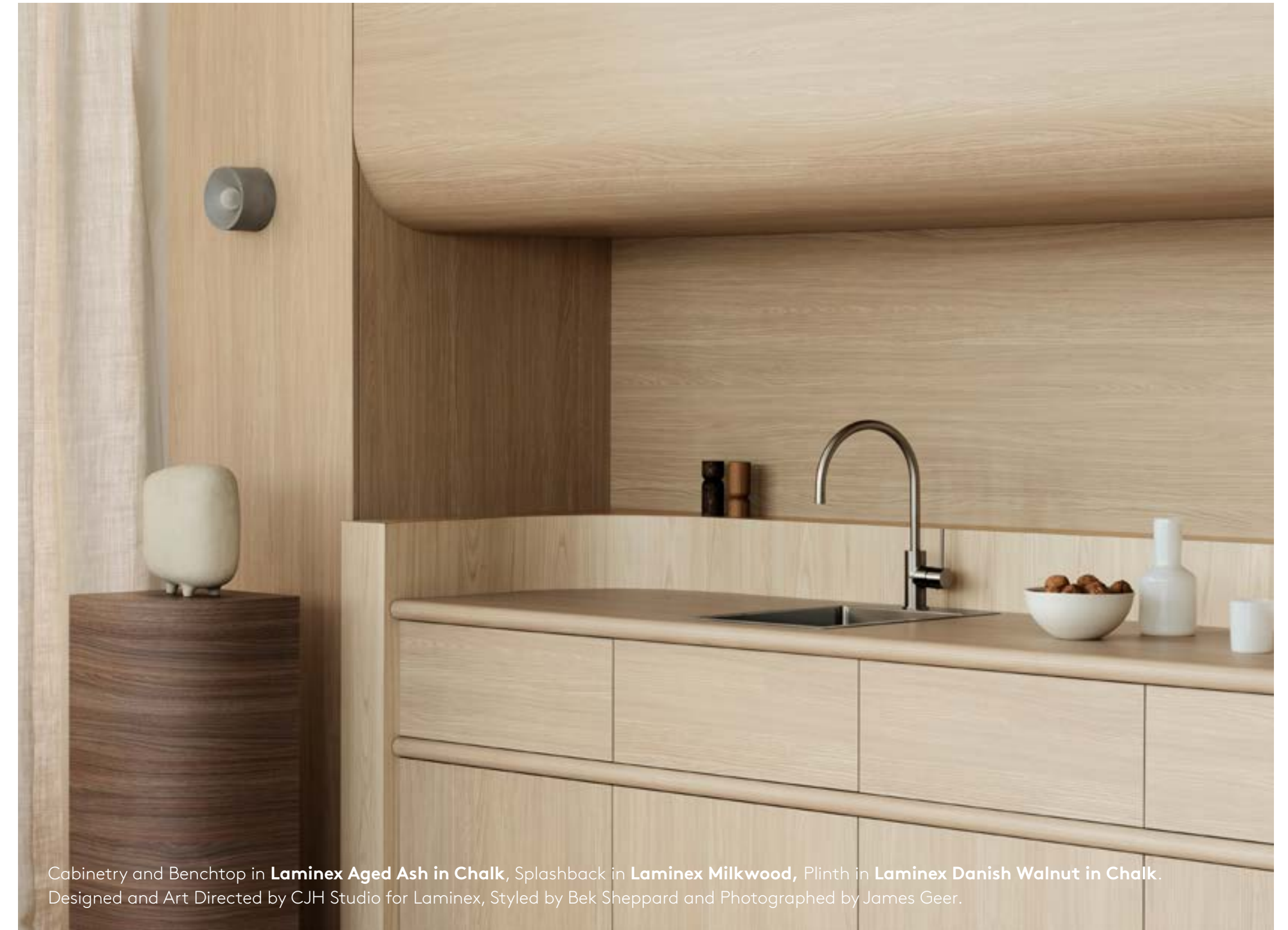
Apply crisp white, a neutral colour scheme, a woodgrain or pop of colour to the insides of your kitchen cabinets to create a subtle yet surprising style feature. Be careful though - dark internal cabinetry may require additional lighting, so keep this in mind!

## Expert tip: Select intergrated elements early

Before cabinetry is made and installed, confirm the plumbing products and appliances that will be included. Your cabinet maker or builder will require this information in order to integrate cut-outs for elements like hoses, fittings and cavities. Complete this process early, so products can be ordered if needed.

## Splashbacks

A focal point of your kitchen, the splashback also informs and ties together the entire space. Choose your favourite material from a range including tiles, glass, laminate surfaces and stone.



## Sink

The sink is the central component of a kitchen's cleaning and utilities zone, where durability and performance are of utmost importance. Choose from a range including undermount, overmount, or an integrated style in stainless steel, acrylic or granite.

## Tapware

Lifestyle and design schemes should be considered when deciding on tapware. For example, if you use large vases, pots or fill-up buckets in the kitchen sink, a pull-out gooseneck mixer is more practical than a normal mixer. Aesthetically, consider what colours, metals and materials will complement your space.



## Appliances

Performance, sustainability, aesthetics and convenience are key factors to consider when choosing appliances. Look for models that feature technological functions designed to make life less stressful, and energy-efficient products with sustainability and longevity.



Cabinetry in **Laminex Paper Bark AbsoluteMatte** and **Laminex Olivine**. Designed by Studio Doherty, Styled by Natalie James, Art Direction by Ortolan and Photographed by Derek Swalwell. Joinery by Evolve Interiors.

## Flooring

The most impacted area of the home, kitchen flooring must be robust, durable and adaptable. Select colours and materials less susceptible to impact and spills, like tiles, laminate, timber and vinyl.

## Lighting

Lighting fixtures can be applied in many areas of the kitchen, including inside cabinetry and over benchtops. One size does not fit all, and a layering of products, including downlights and decorative pendants, is required to balance mood with functionality. If your budget can accommodate, consider consulting a specialised lighting designer.

### Expert tip: Lighting for mood and tasks

–

A good lighting plan includes task, ambient and decorative lighting.

Task lights allow you to prep and cook easily and safely.

Ambient light, achieved with dimmers, track and uplights, is used to impart warmth and highlight design features.

Decorative lighting makes a statement. Suspend a single or cluster of glass pendants over an island bench or table for the perfect finishing touch.

## Component Checklist

Use the template below and examples of various components and fixtures over the previous pages to help you create your own component checklist.

### Component Checklist Template

# 06 Bringing it to Life

With planning and design elements in place,  
it's time to press go.



## Congratulations! You're almost ready to kick off your kitchen reno - here's the next steps from here:

If working with a professional team, now is the time to engage your designer, builder, or cabinet maker.

### Design Process

- 01 - Finalise your mood board
- 02 - Consult with designer and cabinet makers
- 03 - Engage designer (or cabinet makers, if project managing it yourself)
- 04 - Measure and plan out your space

### Construction Process

Once the plans are signed off, it's time for construction. Depending on the materials and scope of work involved, renovations generally occur in the following order.

- 01 - Demolition and removal of existing elements
- 02 - Rough-in plumbing and electrical work
- 03 - Painting
- 04 - Cabinetry install
- 05 - Benchtopy install
- 06 - Splashback install
- 07 - Flooring install
- 08 - Connection of plumbing and electrical fixtures

Visit one of our showrooms or order samples to continue the journey to your dream kitchen.

Laminex®

# Kitchen Design & Renovation Guide

Thank you for reading - we can't wait to see your dream kitchen come to life!